

Sheet: Sisend ja toide



File: Sisend.sch

Sheet: Voimendid



File: Voimendid.sch

Sheet: /
File: Amp4-2.sch

Title:

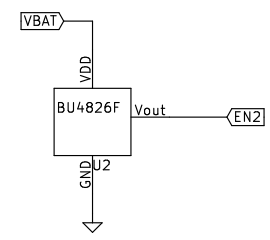
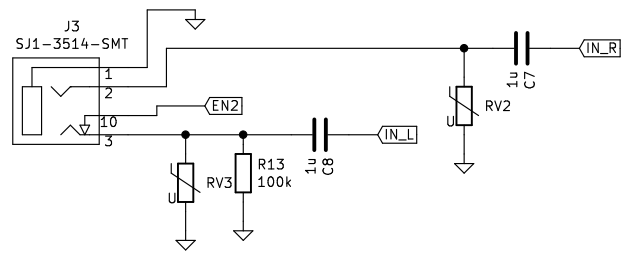
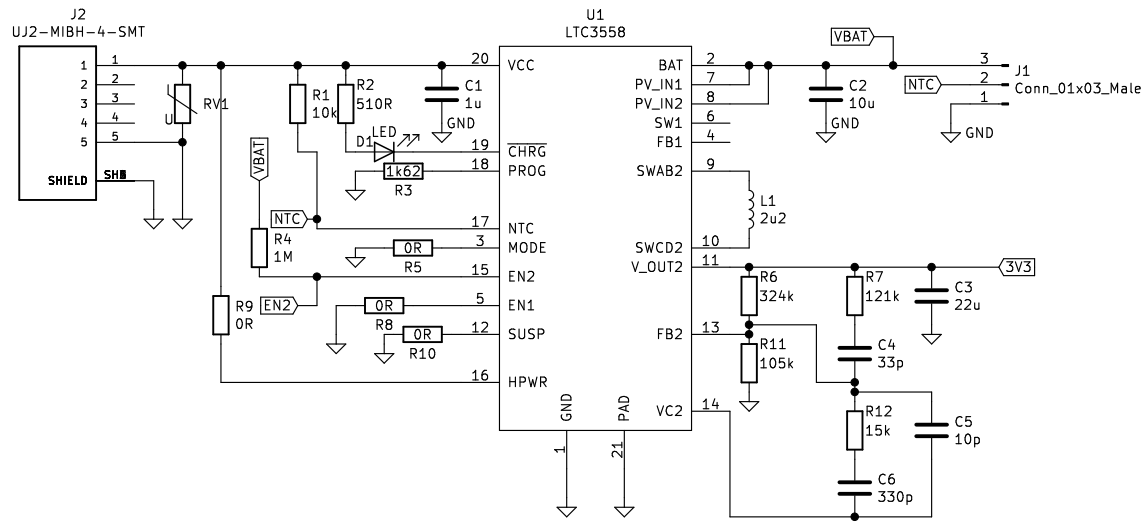
Size: A4

Date:

KiCad E.D.A. kicad (5.1.5)-3

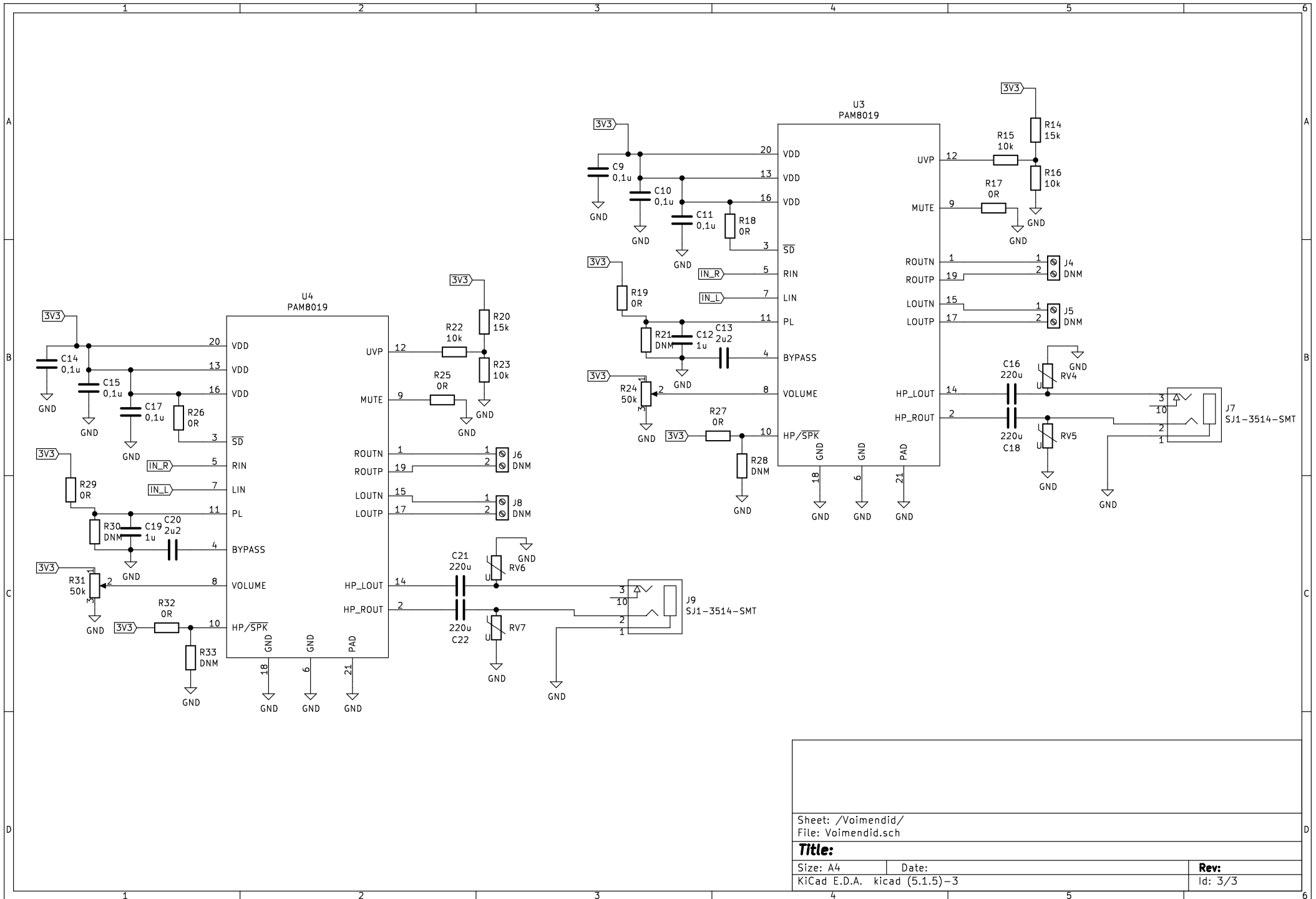
Rev:

Id: 1/3



Sheet: /Sisend ja toide/
File: Sisend.sch

Title:	
Size: A4	Date:
KiCad E.D.A. kicad (5.1.5)-3	
Rev:	
Id: 2/3	



Sheet: /Voimendid/
 File: Voimendid.sch

Title:

Size: A4	Date:
KiCad E.D.A. kicad (5.1.5)-3	Rev: Id: 3/3